

## TECHNICAL SPECIFICATION

### LED STRIP

### LED 300 SMD5050 IP20



#### Technical data

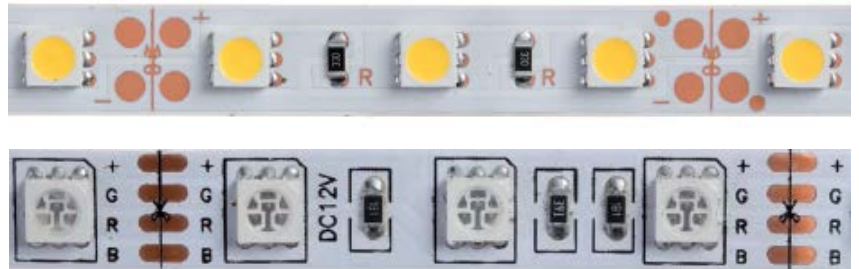
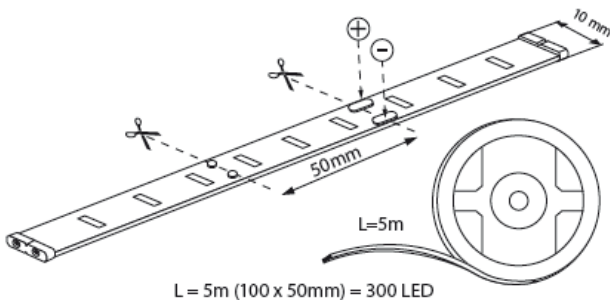
- Rated voltage : 12V DC
- Power consumption: 14.4W/m
- Luminous efficiency: 18-20lm/LED
- Number of LEDs: 60pcs/m
- LED type: SMD5050
- Light source: Epistar Taiwan
- Colour temperature:
  - LED-5050-60-WW – 2700-300K; warm white
  - LED-5050-60-CW – 6200-6500K; cold white
  - LED-5050-60-Y – yellow
  - LED-5050-60-G – green
  - LED-5050-60-B – blue
  - LED-5050-60-R – red
  - LED-5050-60-RGB – red/green/blue
- Length: 5m/reel
- Cut option: per 50mm
- Beam angle: 120°
- Protection against dust and moisture: IP20
- Average lifetime: 30000h

## Areas of application

- Domestic application
- Accent lighting
- Landscape lighting
- Shops
- Pathways

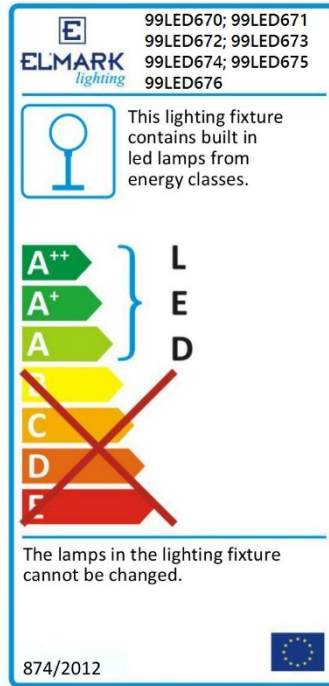
## Product benefits

- Easy to install.
- Low energy consumption.
- Mercury free.
- Correct operation even at low temperature.
- Instant-on light.
- Long lifetime.
- **Variants and dimensions**



Model	LEDs (pcs/m)	Watt / metter	Colour temp. (K)	Colour	Catalogue number	Packing (reel)
LED-5050-60-WW	60pcs/m	14.4W/m	2700-3000	warm white	99LED670	1
LED-5050-60-CW	60pcs/m	14.4W/m	6200-6500	cold white	99LED671	1
LED-5050-60-Y	60pcs/m	14.4W/m	587-592	yellow	99LED672	1
LED-5050-60-G	60pcs/m	14.4W/m	520-525	green	99LED673	1
LED-5050-60-B	60pcs/m	14.4W/m	465-470	blue	99LED674	1
LED-5050-60-R	60pcs/m	14.4W/m	620-630	red	99LED675	1
LED-5050-60-RGB*	60pcs/m	14.4W/m	-	RGB	99LED676	1

## Energy efficiency



## Barcodes

Barcode	Catalogue number
3800131187451	99LED670
3800131187468	99LED671
3800131187475	99LED672
3800131187482	99LED673
3800131187499	99LED674
3800131187505	99LED675
3800131187512	99LED676

## Standards

EN 62031

